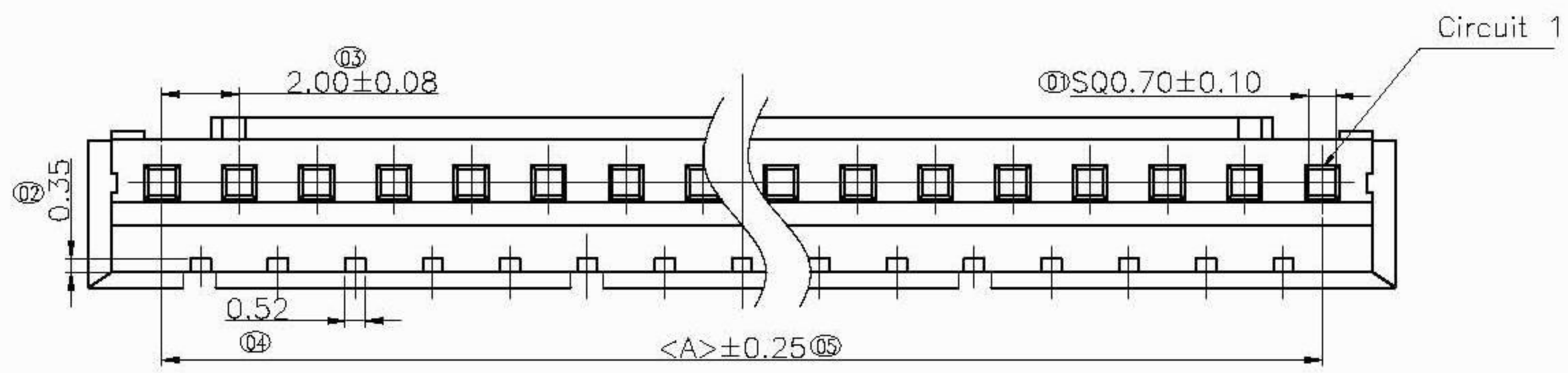
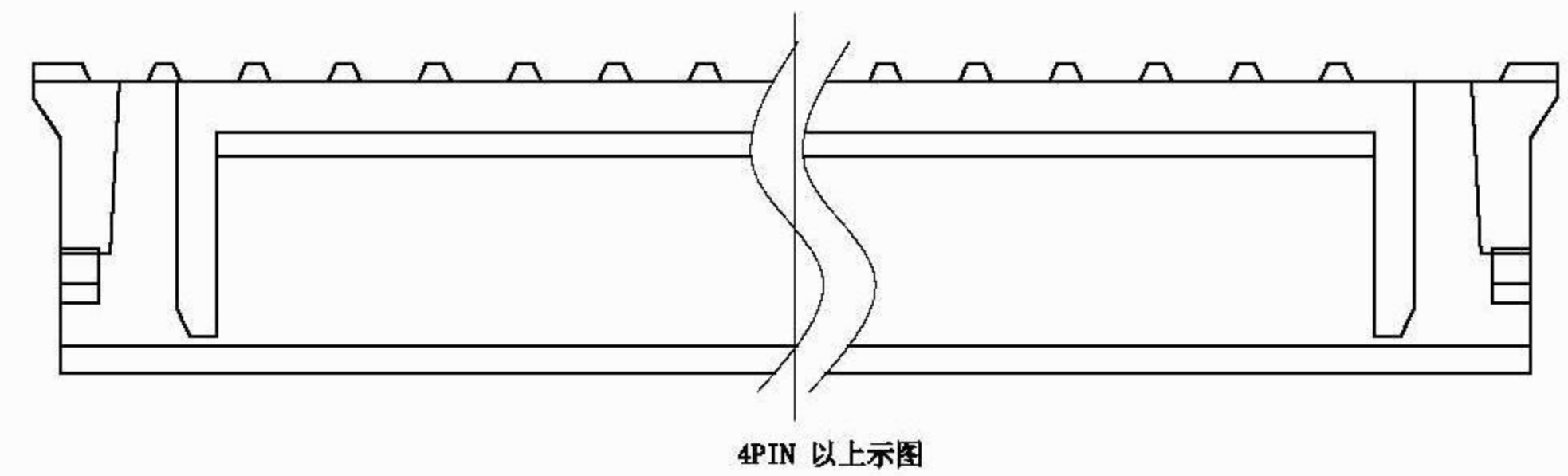
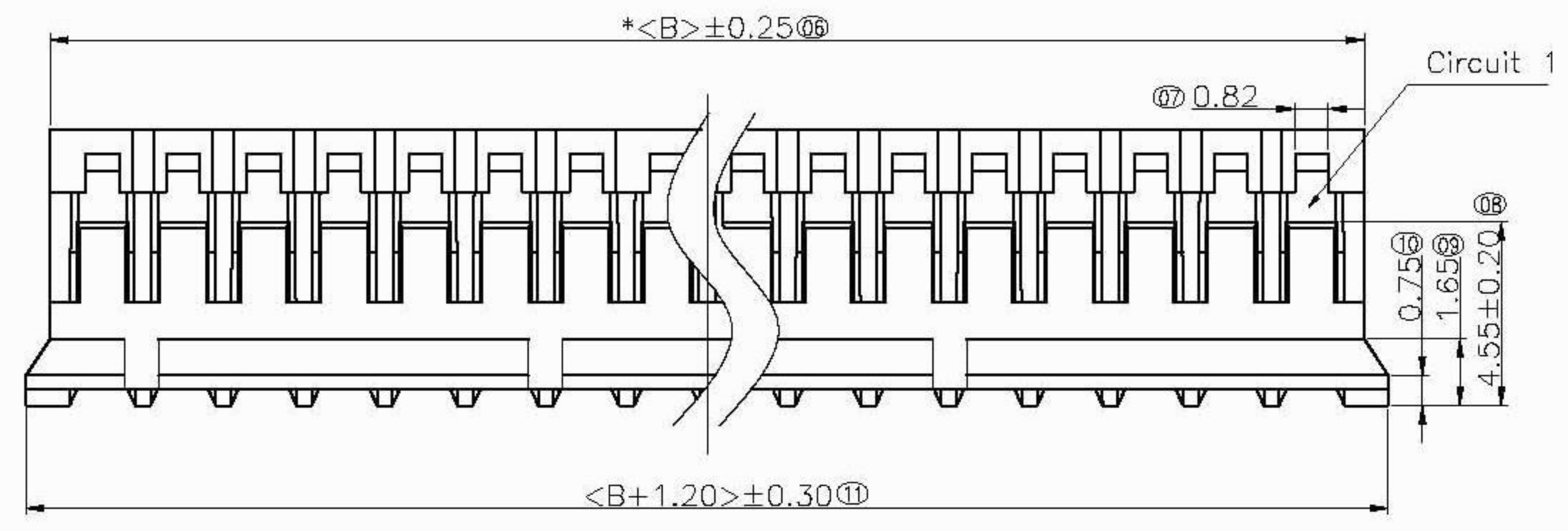
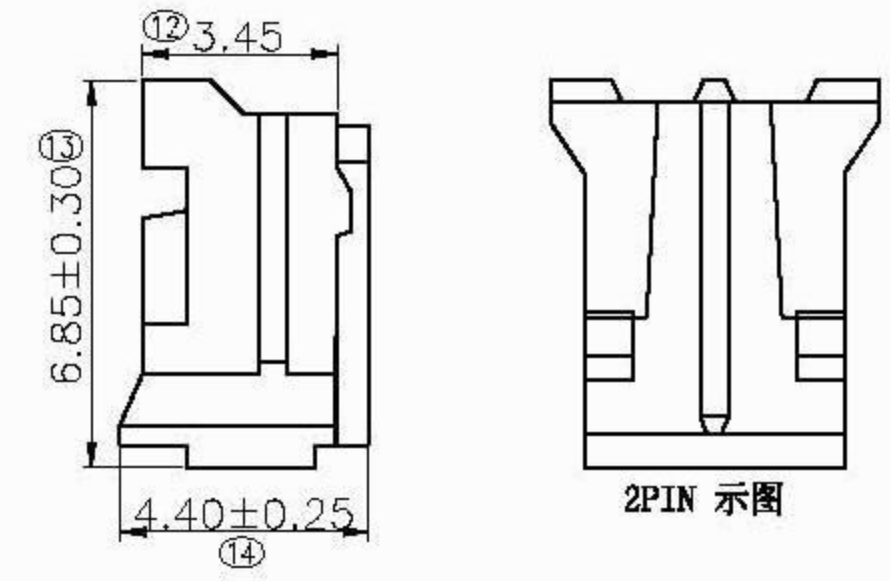


| REV. | ECN NO. | DESCRIPTION | DATE | DESIGN |
|------|----------|-------------|------------|--------|
| H | NAB09168 | 依工程图升级版本 | 2009.07.29 | 姜军广 |
| I | | 变更料号 | 2009.10.27 | 钱安琴 |



NOTES:
 CURRENT RATING: 2A AC/DC.
 VOLTAGE RATING: 100V AC/DC.
 TEMPERATURE RANGE: $-25^{\circ}\text{C} \sim +85^{\circ}\text{C}$.
 CONTACT RESISTANCE: $20\text{m}\Omega$ MAX.
 INSULATION RESISTANCE: $1000\text{M}\Omega$ MIN.
 WITHSTANDING VOLTAGE: 800V AC/MINUTE.



| GXCON ENTERPRISE CO., LTD | | | | |
|---------------------------|------|-----------|----------------|----------|
| DRAW NO. | DATE | P/N NO: | DRAW NAME: | |
| DESIGN: | | WF2000HXX | PH 2.0 Housing | |
| CHECK: | | REV. A | SCALE 1:1 | UNIT: mm |
| REVIEW: | | | SHEET: 1 OF 1 | ☉ |

| DIM | TOL | DIM | TOL |
|-------|------------|--------|----------|
| X. | / | X' | / |
| X.X | ± 0.25 | X.X' | $\pm 2'$ |
| X.XX | ± 0.20 | X.XX' | $\pm 1'$ |
| X.XXX | ± 0.10 | X.XXX' | / |